

Carrot topper / piece cutter WOS-1A



Operating principle

The WOS-1A carrot topper and piece cutter consists of a number of chain-mounted flights, one base plate and 2 aligning belts with a knife platform.

The singulated carrots are placed between the flights either by hand or are fed from a peeler e.g. the Sormac knife peeler KP-60/HS. The aligning belts transport the carrot firstly to the left and then to the right against a guide plate, where they are topped or tailed depending on orientation. In the last operation the carrot is also cut into pieces. The tops and tails exit the machine separate from the final product.

The static knives and special positioning system offer a clear square cut without waste. The guide plate and top size are adjustable from 12 to 29 mm (0,47" - 1,14"). In the standard execution the carrot is sliced into 50 mm (2") pieces. Other lengths are available on request. The hinged slicing knives are easily removable.

Adjustable height and a hinge mounted control panel make it possible to adjust the machine to the optimum working position.

Capacity

The capacity of the WOS-1A is dependent on the speed of which the carrots are put into and is approx. 160 carrots per minute.

Features

- > automatic positioning of the carrot
- > static mounted, non-rotating knives
- > clear square cut via unique positioning system
- > stepless adjustable top/tail size
- > knives for cutting are easily removable
- > adjustable height and swinging control panel

Options

- > non-standard piece sizes
- > infeed hopper for set up in combination with Sormac knife peeler type KP-60/HS

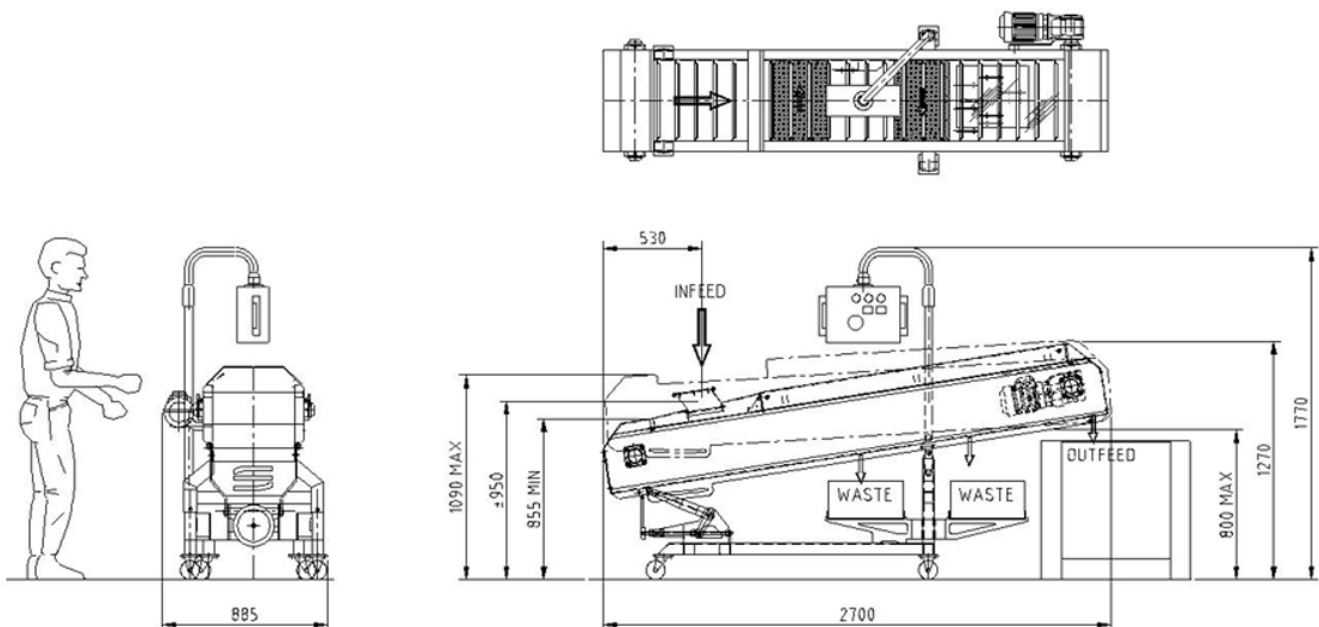
Product specification

The WOS-1A processes carrots with a maximal diameter of 75 mm (3") and a maximum length of 350 mm (14").

Technical data

Voltage:	230 V, 50/60 Hz
Total installed power:	0.61 kW
Weight:	approx. 375 kg (825 lbs)
Dimensions width:	885 mm (35")
Capacity:	max. 160 carrots/min.
Carrot dimensions diameter:	max. 75 mm (3")
Length:	max. 350 mm (14")
Top-/tail size:	12-29 mm (adjustable) (0,47" - 1,14")
Piece size:	50 mm (2")

Patent pending

**Sormac B.V.**

P.O. Box 419
NL-5900 AK Venlo

Telephone: +31 (0)77 351 84 44
Fax: +31 (0)77 320 48 01

Alterations reserved

Huiskensstraat 68
NL-5916 PN Venlo

E-mail: info@sormac.nl
Internet: www.sormac.nl